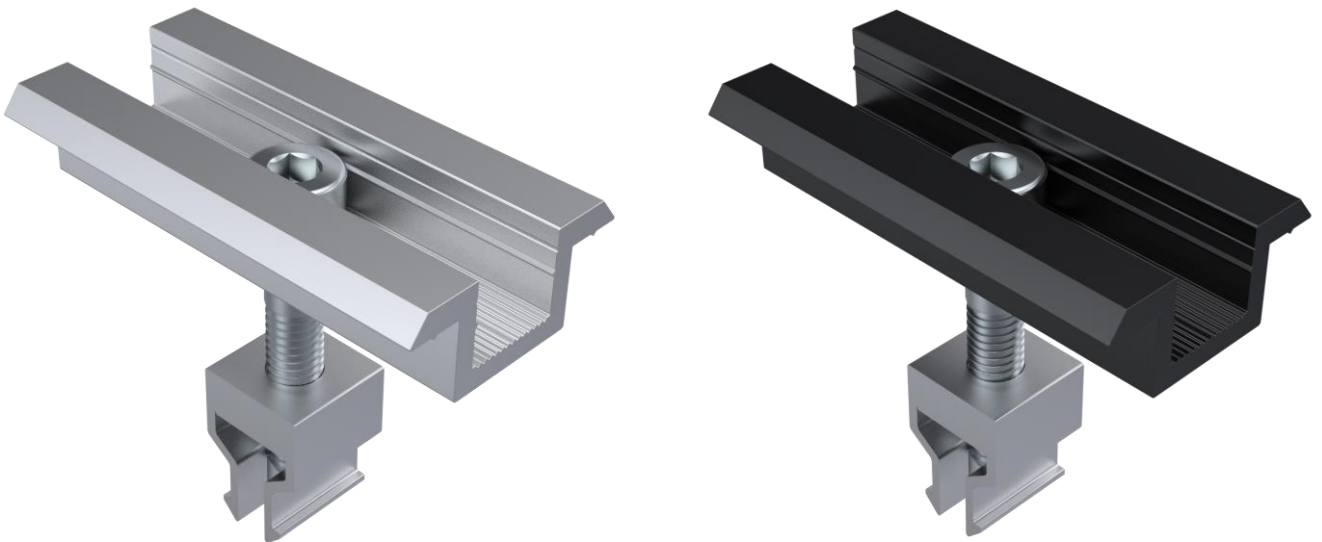


# INOXMARE®

## MIDDLE CLAMPS WITH W-CLIP



DATASHEET  
9745-WCLIPM

YOUR NEEDS  
OUR MISSION

# 9745-WCLIPM TECHNICAL SPECIFICATIONS

<b>Material</b>	Aluminium / Stainless Steel
<b>Quality</b>	AlMgSi0,5 F25 / A2
<b>Surface</b>	Blank

## YOUR ADVANTAGES



### FAST MONTAGE

› Because of the innovative W-Clips



### SAFE GRIP



### COST-EFFICIENT



### ON REQUEST ALSO AVAILABLE IN BLACK ANODISED

› For increased corrosion resistance



### UNIVERSAL USABLE

› For every standard module and frame heights from 30 up to 50 mm



### IMMEDIATELY FIXING PREPARED

› Modules are already pre-assembled

## PRACTICES



### FIXING OF PHOTOVOLTAIC SYSTEMS

WE'D BE PLEASED TO ADVISE WITH YOUR APPLICATION.

# DIMENSIONS (MM)

Article number	Clamping range
97452803501	30 – 34 mm
97453604501	35 – 44 mm
97454605501	45 – 50 mm

# COMPONENTS

Article	9745-W13	W-CLIP	DIN 912 A2 M8 X		
97452803501	X	X	30		
97453604501	X	X		40	
97454605501	X	X			50

# INSTALLATION INFORMATION



YOU HAVE TO INSERT THE WCLIP AT AN ANGLE INTO THE ALUMINIUM PROFILE, PLEASE DO NOT TRY TO INSERT THE CLIP VERTICALLY BY STRIKING ON TOP OF THE SCREW HEAD.

WE'D BE PLEASED TO ADVISE WITH YOUR APLICATION.